

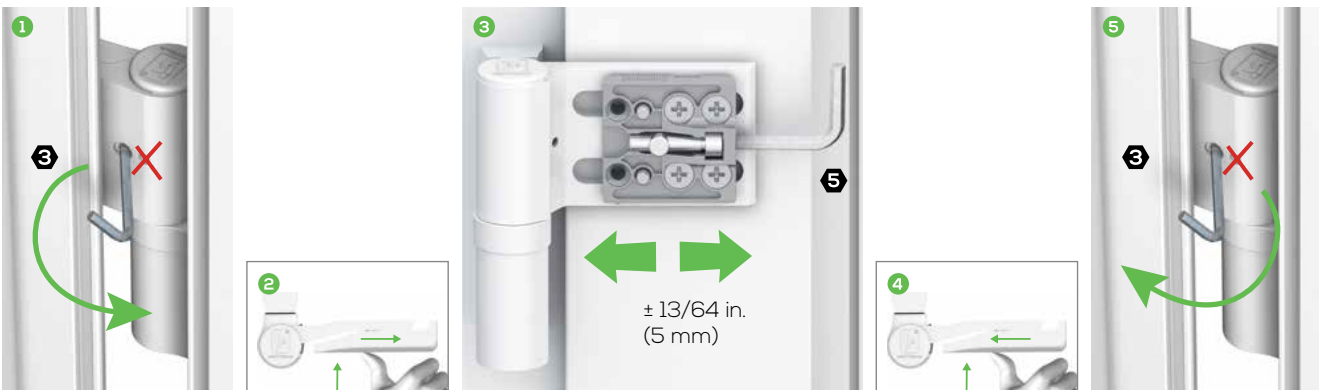
DR. HAHN DOOR HINGE ADJUSTMENT

Sealing Pressure Adjustment:

Changing the sealing pressure within the upstand dimension plus $\frac{1}{64}$ in. (0.5 mm) reserve on both sides.

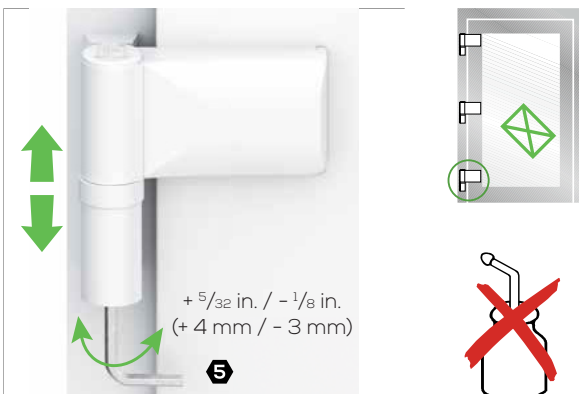


Horizontal Adjustment:



Height Adjustment:

Bearing bushes made of maintenance-free PVC containing Teflon – do not lubricate!



SCHÜRING DOOR HINGE ADJUSTMENT

